

SPECIFICATION

Product: IP66 thin Floodlight

Part No.: [BLP-FL150W04](#)

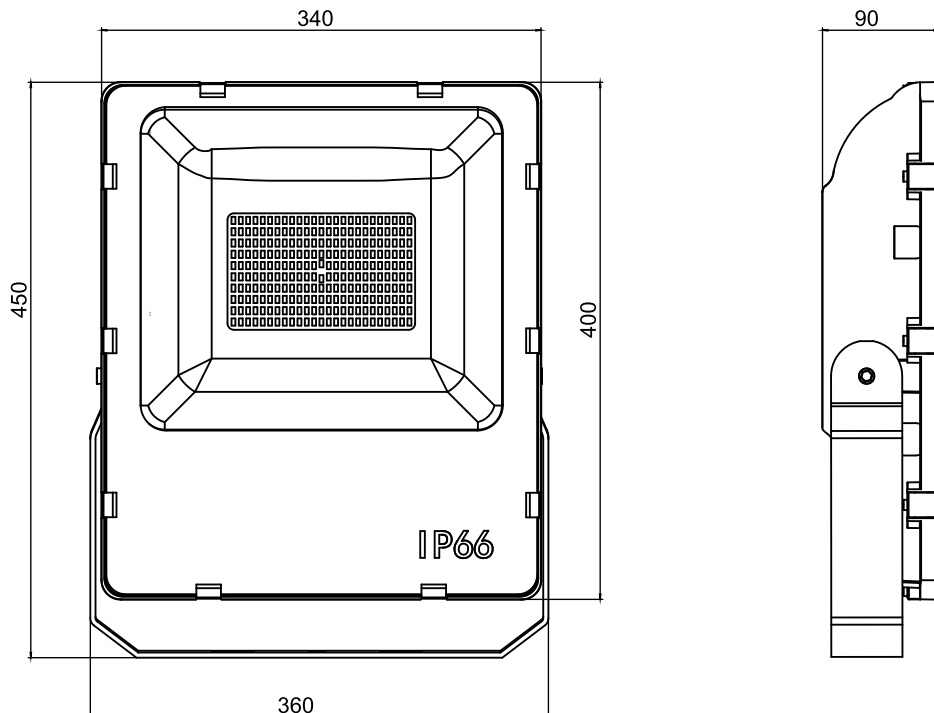


1. Main Features

- ▶ New and unique design with thin housing.
- ▶ Aluminum die-casting body, Aluminum bracket and stainless steel screws. Good corrosion resistance.
- ▶ Heat sink is completely exposed to the air to keep excellent heat dissipation performance.
- ▶ Long lifetime over 50,000 hrs, extremely low maintenance cost. LM-80 test passed.
- ▶ IP66, suitable for outdoor lighting.
- ▶ CRI>80, Typical 85Ra.
- ▶ Suitable for general lighting and decoration lighting, such as Garden/Building decoration, Billboard, Warehouse, Gymnasiums, Gas stations, Toll stations, etc.



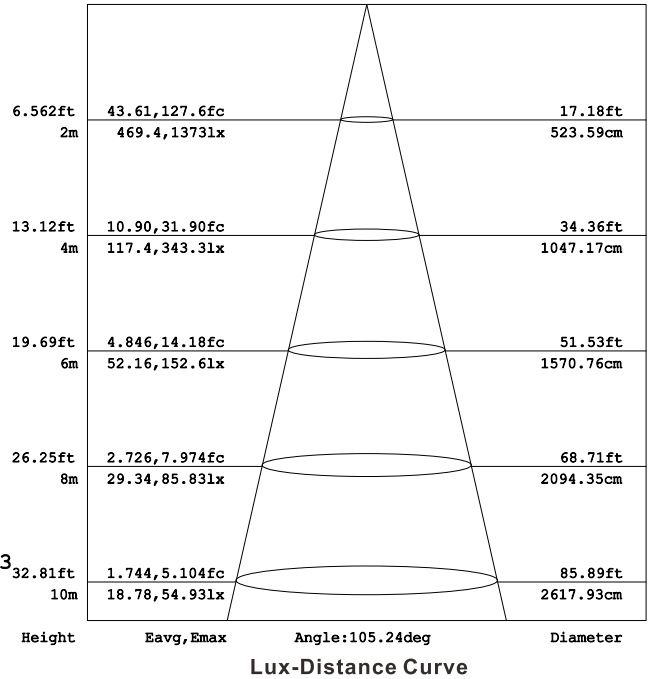
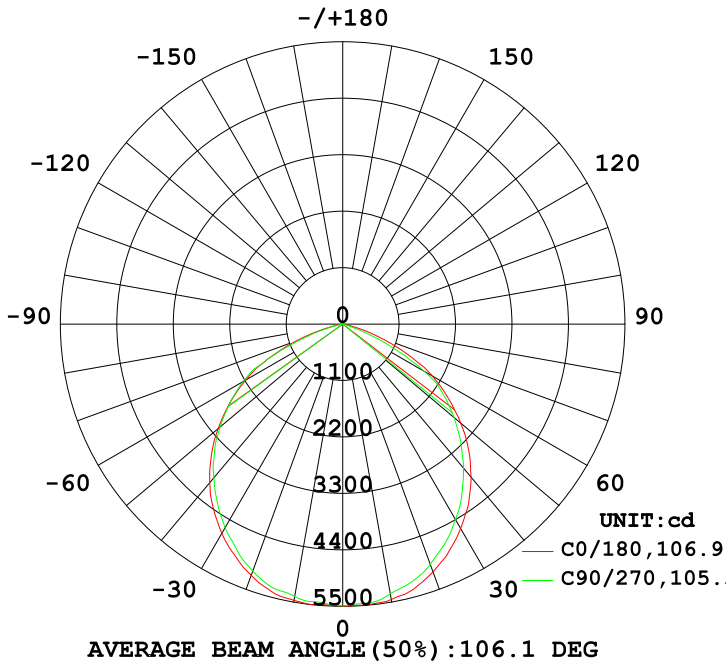
2. Dimension



3. Technical Data

Model No.	BLP-FL150W04	Model No.	BLP-FL150W04
Light Source	322 x SMD2835	Driver Output Voltage (VDC)	40-48
LED Chips	Taiwan Edison	Driver Output Current(mA)	3200 (constant current)
Input Voltage (V)	85-265VAC 50/60Hz	Housing Color	Black/Grey
LED Power (W)	134-147	Tempered Glass	Clear/Foggy
System Power (W)	144-158	IP Class	IP66
Power Factor	>0.95	Working Temperature (°C)	-20 to +50
Luminous flux (lm)	13800-15100	Working Humidity(RH%)	10-90
System Efficiency (lm/W)	90-100	Power Cable	1.4m HO5RN-F 3x1.0mm ²
Color Temperature (K)	3000/4000/5700	Net Weight (Kg)	7.5
CRI	>80	Dimension of Inner Box(mm)	490*400*130
Beam Angle	120°	Dimension of Outer Carton(cm)	50.5*41.5*30.5 (2 pcs)
Safety Standards	EN 60598-1:2008+A11:2009; EN 60598-2-5:1998; EN62493:2010; IEC 60598-2-5:1998;		
EMC	EN 55015:2006+A1:2007+A2:2009; EN 61547:2009; EN 61000-3-2:2006+A1:2009+A2:2009; EN61000-3-3:2008		
Photobiological Safty	EN 62471:2008		

4. Luminous Intensity Distribution Diagram



For the IES file, please visit our website or contact us by E-mail.

5. Installation

Please refer to Installation Instruction.