

## SPECIFICATION

Product: LED HE Floodlight

Part No.: [BLP-FL50W06](#)

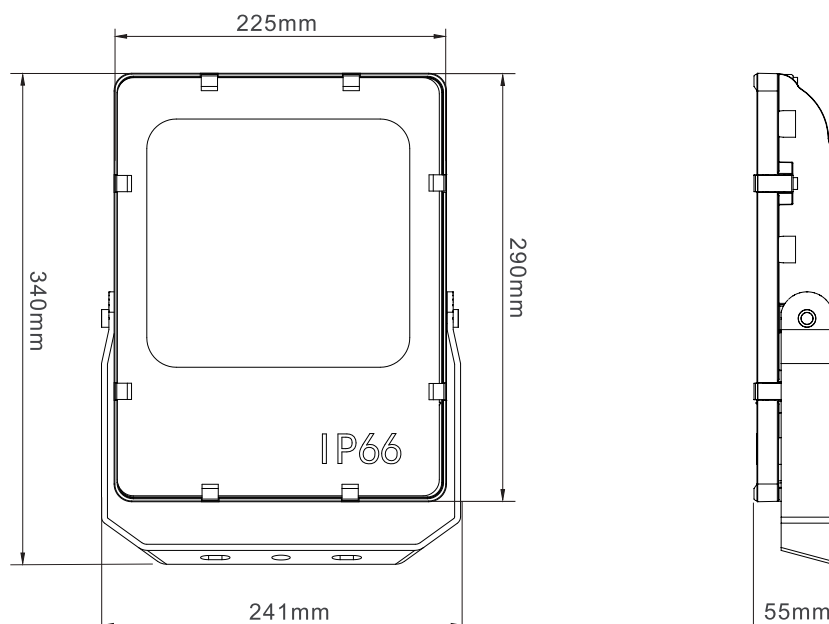


### 1. Main Features

- ▶ 5 years warranty.
- ▶ New and unique design with thin housing.
- ▶ Aluminum die-casting body, tilting bracket and stainless steel screws. Good corrosion resistance.
- ▶ Edison 2835@85Ra, system efficiency up to 150lm/W.
- ▶ Meanwell driver optional.
- ▶ 1-10V Dimmable available.
- ▶ IP66, suitable for outdoor lighting.
- ▶ LM79, LM80, TM21 report available.
- ▶ Suitable for general lighting and decoration lighting, such as Garden/Building decoration, Billboard, Warehouse, Gymnasiums, Gas stations, Toll stations, etc.



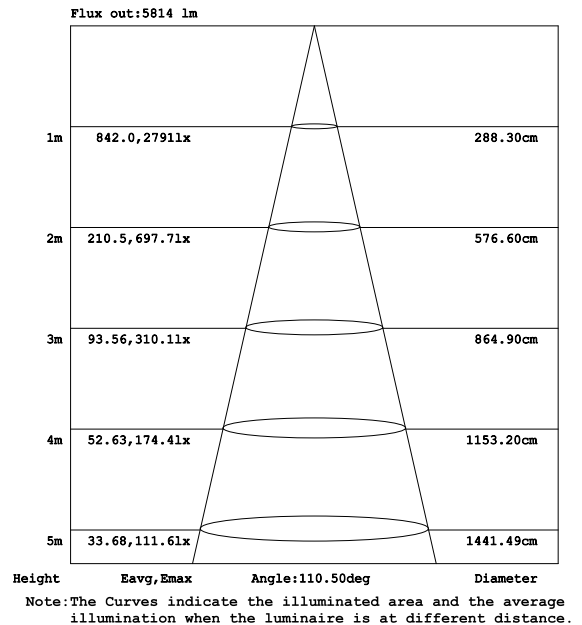
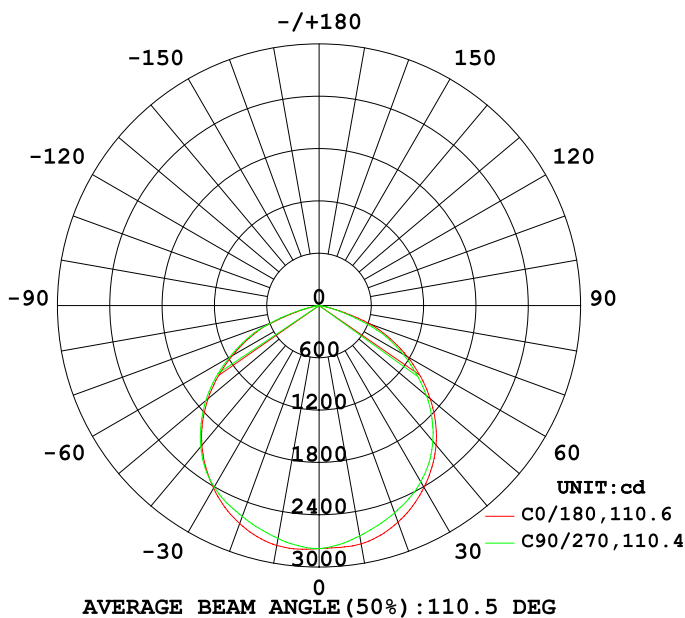
### 2. Dimension



### 3. Technical Data

Model No.	BLP-FL50W06	Model No.	BLP-FL50W06
Light Source	SMD2835	Driver Output Voltage (VDC)	28-34
LED Chips	Taiwan Edison	Driver Output Current(mA)	1430 (constant current)
Input Voltage (V)	100-240VAC 50/60Hz	Housing Color	Black/Grey/Silver
LED Power (W)	42.5-45.5	Tempered Glass	Clear/Foggy
System Power (W)	47-50.5	IP Class	IP 66
Power Factor	>0.95	Working Temperature (°C)	-20 to +50
Luminous flux (lm)	7000-7500	Working Humidity(RH%)	10-90
System Efficiency (lm/W)	140-150	Power Cable	1.5m HO5RN-F
Color Temperature (K)	3000/4000/5700	Net Weight (Kg)	3.08
CRI	>80	Dimension of Inner Box(mm)	285*100*365
Beam Angle	120°	Dimension of Outer Carton(cm)	58.5*40*33 (6 pcs/carton)
Safety Standards	EN 60598-1:2015; EN 60589-2-5:1998; EN 62471:2008; EN 62493:2010; IEC 60589-1:2008; IEC 60598-2-5:1998; AS/NZS 60598.2.5:2002; AS/NZS 60598.1:2013		
EMC	EN 55015: 2013+A1: 2015 EN 61000-3-2: 2014 EN 61000-3-3: 2013 EN 61547: 2009		
Photobiological Safety	EN 62471: 2008		

### 4. Luminous Intensity Distribution Diagram



For the IES file, please visit our website or contact us by E-mail.

### 5. Installation

Please refer to Installation Instruction.