

SPECIFICATION

Product: LED AC Floodlight

Model: FLV2017.AC

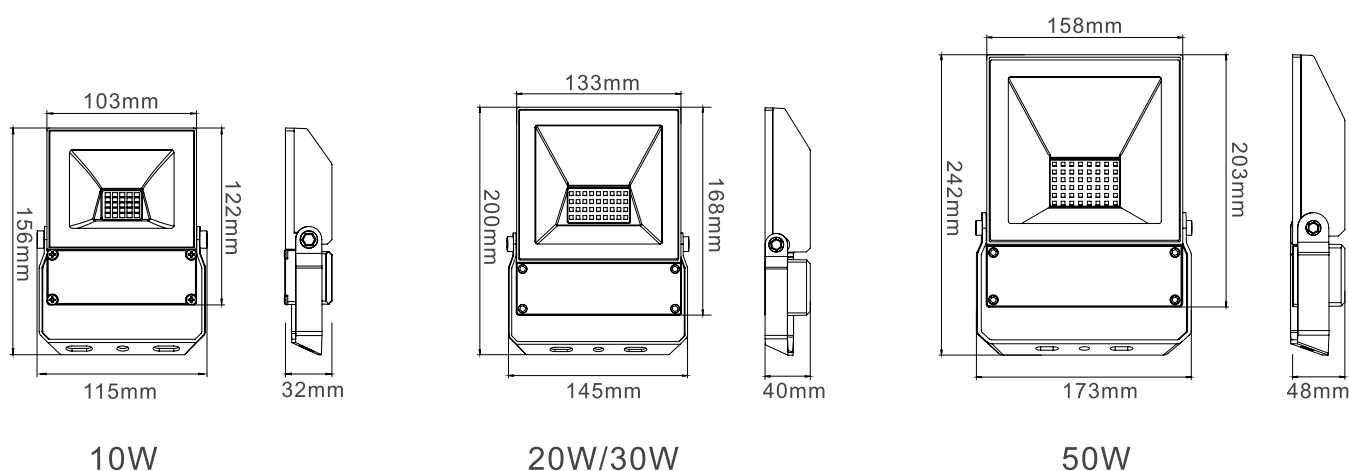
CE RoHS

1. Main Features

- ▶ System efficiency up to 110lm/W.
- ▶ ADC12body+6063 bracket.
- ▶ AC light engine solution, cost-effective.
- ▶ Wire connection box included.
- ▶ IP65, suitable for outdoor lighting.
- ▶ 3 years warranty.
- ▶ Suitable for general lighting and decoration lighting, such as Garden/Building decoration, Billboard, etc.



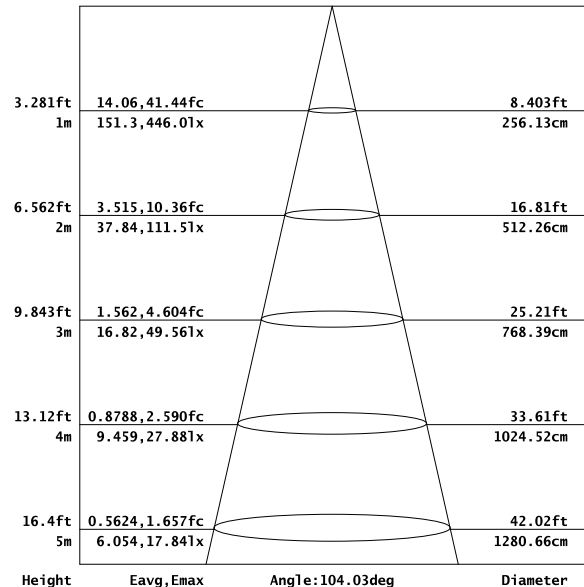
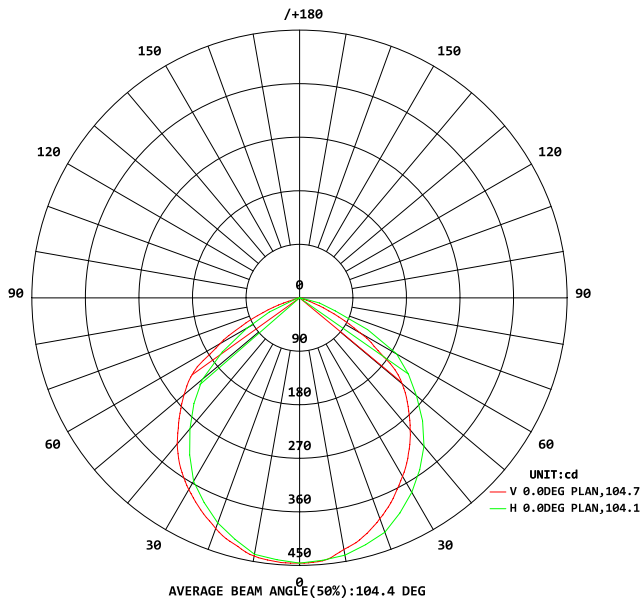
2. Dimension (mm)



3. Technical Data

Model No.	BLP-FL10WAC	BLP-FL20WAC	BLP-FL30WAC	BLP-FL50WAC
Light Source	SMD3030	SMD3030	SMD3030	SMD3030
Input Voltage	220-240VAC 50Hz	220-240VAC 50Hz	220-240VAC 50Hz	220-240VAC 50Hz
System Power (W)	10	20	30	50
Luminous Flux (lm)	1000-1100	2000-2200	3000-3300	5000-5500
Power Factor	>0.98	>0.98	>0.98	>0.98
CCT (K)	3000/4000/5700	3000/4000/5700	3000/4000/5700	3000/4000/5700
CRI	>70	>70	>70	>70
Beam Angle	120°	120°	120°	120°
Housing Color	Black	Black	Black	Black
IP Class	IP 65	IP 65	IP 65	IP 65
Working Temperature (°C)	-20 to +50	-20 to +50	-20 to +50	-20 to +50
Working Humidity(RH%)	10-90	10-90	10-90	10-90
Power Cable	0.8m H05RN-F	0.8m H05RN-F	0.8m H05RN-F	0.8m H05RN-F

4. Luminous Intensity Distribution Diagram



For IES file, please visit our website or contact us by E-mail.

5. Installation

Please refer to Installation Instruction.