

## SPECIFICATION

Product: LED High Bay Light

Part No.: [BLP-HBL100W04](#)

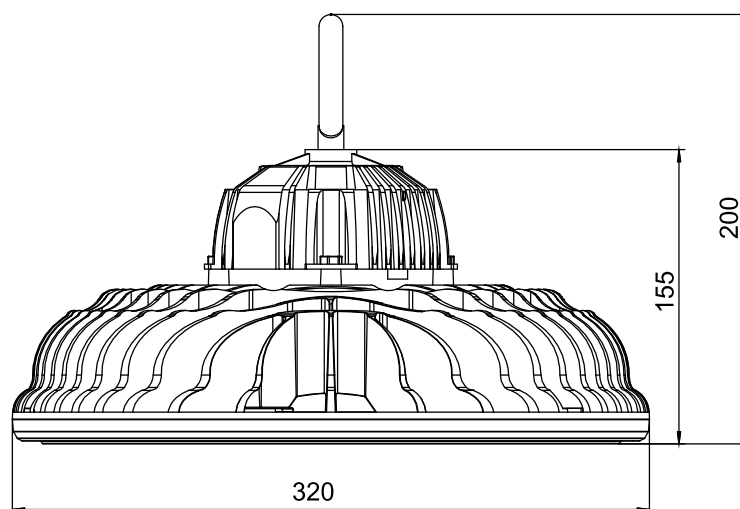


### 1. Main Features

- ▶ 5 years warranty.
- ▶ New and compact design with slim housing.
- ▶ Aluminum die-casting body and stainless steel screws. Good corrosion resistance.
- ▶ Meanwell HBG driver is completely exposed to the air for good heat dissipation.
- ▶ Philips Lumileds Luxeon LED with Long lifetime over 50,000 hrs. LM-80 test passed.
- ▶ IP65, suitable for outdoor lighting.
- ▶ CRI>80, Typical 83Ra.
- ▶ Suitable for warehouse, gymnasium, workshop, etc.



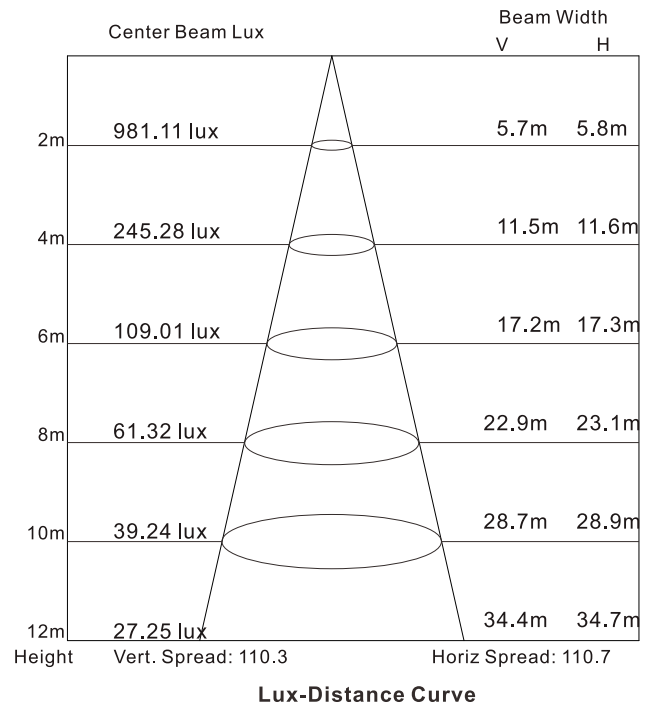
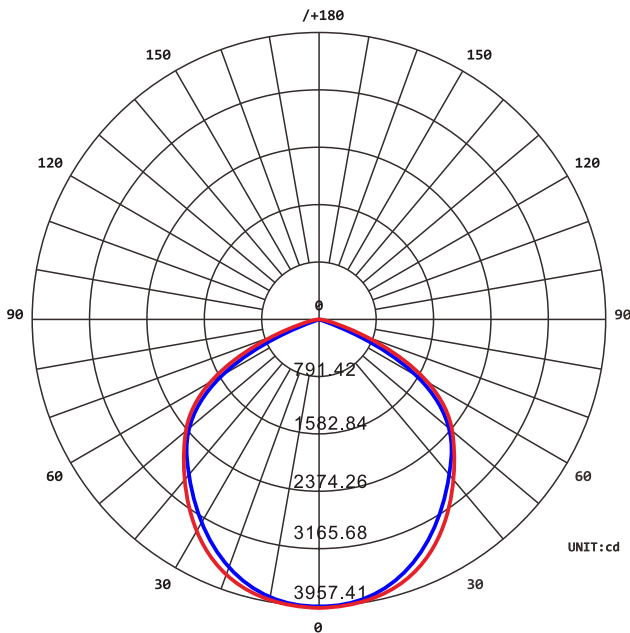
### 2. Dimension (mm)



### 3. Technical Data

Model No.	BLP-HBL100W04	Model No.	BLP-HBL100W04
Light Source	140 x SMD3030	Driver Output Voltage (VDC)	40-48
LED Chips	LUMILEDS Luxeon	Driver Output Current(mA)	2000 (constant current)
Input Voltage (V)	90-305VAC 50/60Hz	Housing Color	Black
LED Power (W)	84-88	Tempered Glass	Clear/Foggy
System Power (W)	94-98	IP Class	IP65
Power Factor	>0.95	Working Temperature (°C)	-40 to +50
Luminous flux (lm)	9600-11000	Working Humidity(RH%)	10-90
System Efficiency (lm/W)	100-115	Power Cable	2 meters H05RN-F 3x1.0
Color Temperature (K)	3000/4000/5700	Net Weight (Kg)	4.8
CRI	>80	Dimension of Inner Box(cm)	39.8*24.5*37
Beam Angle	120°	Dimension of Outer Carton(cm)	51.*41.5*39 (2 pcs)
Safety Standards	EN 60598-1:2015; EN 60598-2-1:1989; EN 62493:2015; IEC 60598-1:2014; IEC 60598-2-1:1979+A1:1987 AS/NZS 60598.2.1:2014; AS/NZS 60598.1:2013		
EMC	EN 55015:2013; EN 61547:2009; EN 61000-3-2:2014; EN61000-3-3:2013		
LED Safety	EN 62471:2008; IEC 62031:2008+A1:2012+A2:2014		

### 4. Luminous Intensity Distribution Diagram



For the IES file, please visit our website or contact us by E-mail.

### 5. Installation

Please refer to Installation Instruction.