

SPECIFICATION

Product: Basic High Bay Light

Part No.: [BLP-HBL230WE04](#)

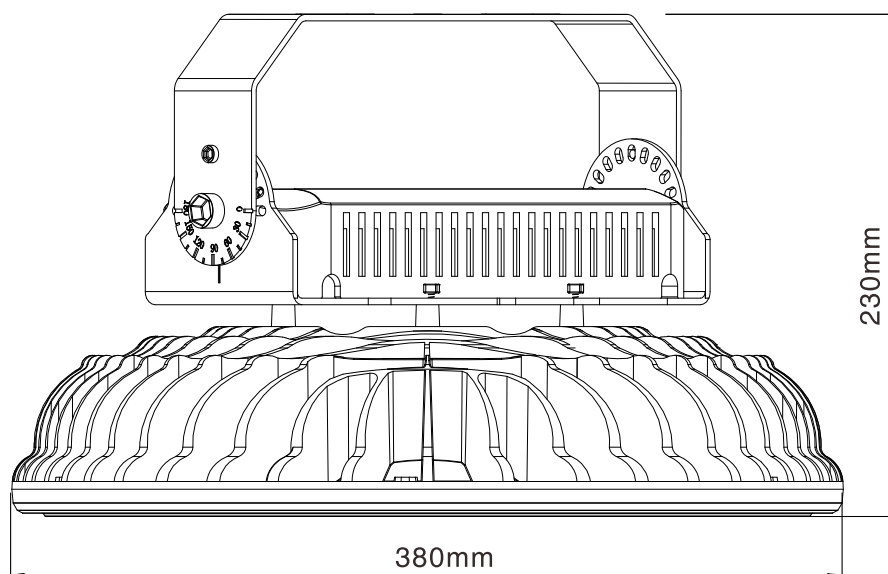
CE RoHS FC

1. Main Features

- ▶ 5 years warranty.
- ▶ Lumileds 3030@Ra80 (LED 155lm/Watt)
- ▶ Mounting Bracket, Angle adjustable
- ▶ Aluminum die-casting body and stainless steel screws, good corrosion resistance.
- ▶ Meanwell ELG driver is completely exposed to the air for good heat dissipation.
- ▶ Dali, 1-10V Dimmable available
- ▶ CRI>80, Typical 83Ra.
- ▶ Suitable for warehouse, gymnasium, workshop, etc.



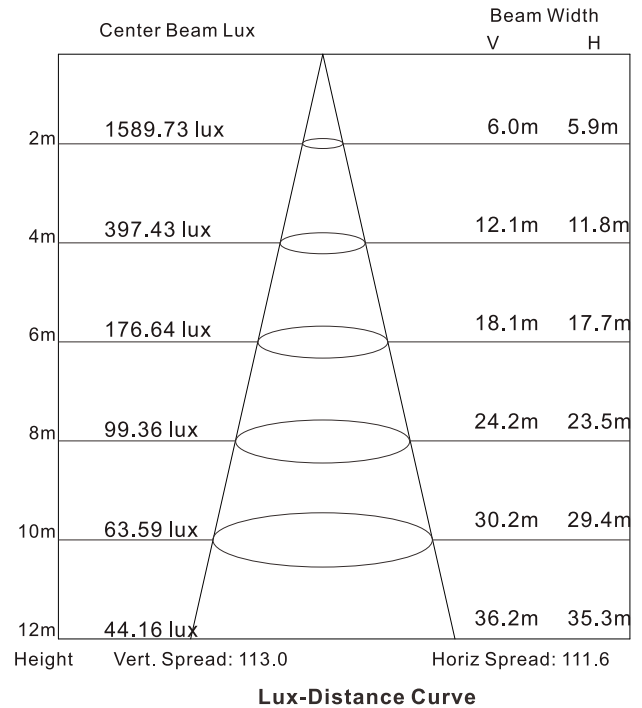
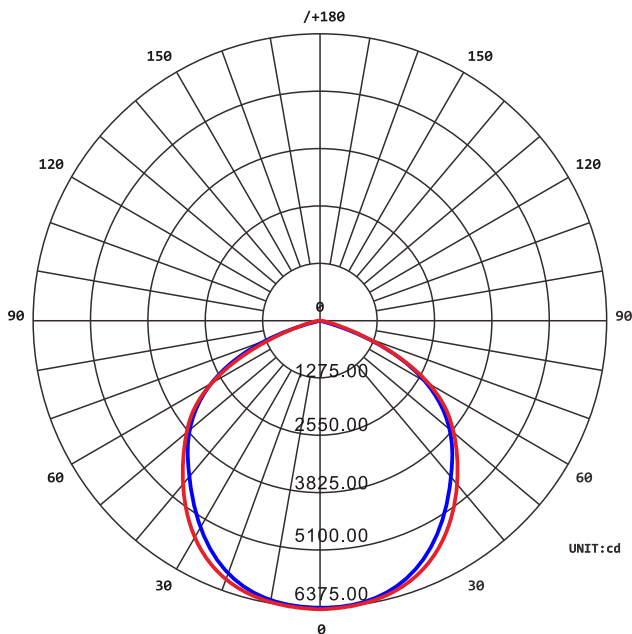
2. Dimension (mm)



3. Technical Data

| Model No. | BLP-HBL230WE04 | Model No. | BLP-HBL230WE04 |
|--------------------------|---|-------------------------------|--------------------------|
| Light Source | SMD3030 | Driver Output Voltage (VDC) | 40-48 |
| LED Chips | LUMILEDS Luxeon | Driver Output Current(mA) | 5000 (constant current) |
| Input Voltage (V) | 100-305VAC 50/60Hz | Housing Color | Black |
| LED Power (W) | 210-220 | Tempered Glass | Clear/Foggy |
| System Power (W) | 225-240 | IP Class | IP65 |
| Power Factor | >0.95 | Working Temperature (°C) | -40 to +50 |
| Luminous flux (lm) | 21000-23000 | Working Humidity(RH%) | 10-90 |
| System Efficiency (lm/W) | 90-100 | Power Cable | 0.3 meters H05RN-F 3x1.0 |
| Color Temperature (K) | 3000/4000/5700 | Net Weight (Kg) | 6.7 |
| CRI | >80 | Dimension of Inner Box(cm) | 46.3*23.6*42 |
| Beam Angle | 120° | Dimension of Outer Carton(cm) | 49.5*48*44 (2 pcs) |
| Safety Standards | IEC 60598-2-1: 1979 + A1: 1987, IEC 60598-1: 2014, IEC 62031: 2008 + A1: 2012 + A2: 2014, EN 60598-2-1: 1989, EN 60598-1: 2015, EN 62031: 2008 + A1: 2013 + A2: 2015, EN 62493: 2015, AS/NZS 60598.2.1: 2014 + A1: 2016, AS/NZS 60598.1: 2017 | | |
| EMC Standards | EN 55015:2013+A1:2015; EN 61547:2009; EN 61000-3-2:2014; EN61000-3-3:2013 | | |

4. Luminous Intensity Distribution Diagram



For the IES file, please visit our website or contact us by E-mail.

5. Installation

Please refer to Installation Instruction.