

SPECIFICATION

Product: New-Version High Bay Light

Part No.: [BLP-HBL300WE04](#)

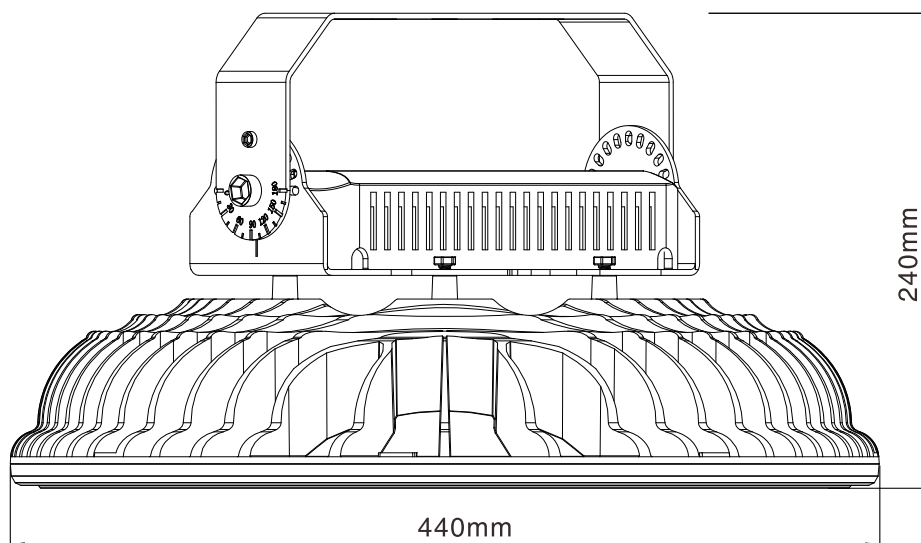
CE RoHS

1. Main Features

- ▶ 5 years warranty.
- ▶ Philips Lumileds 3030@Ra80 (LED 155lm/Watt)
- ▶ Mounting Bracket, Angle adjustable
- ▶ Aluminum die-casting body and stainless steel screws, good corrosion resistance.
- ▶ Meanwell HLG driver is completely exposed to the air for good heat dissipation.
- ▶ 1-10V Dimmable available
- ▶ CRI>80, Typical 83Ra.
- ▶ Suitable for warehouse, gymnasium, workshop, etc.



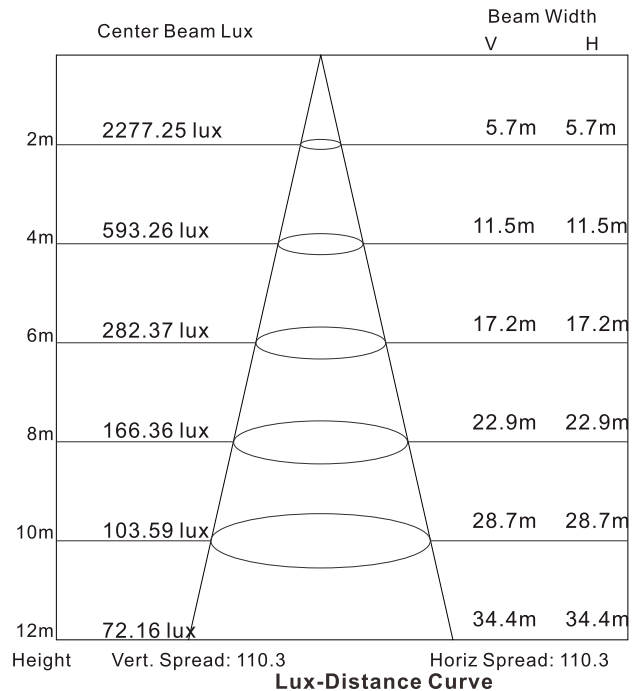
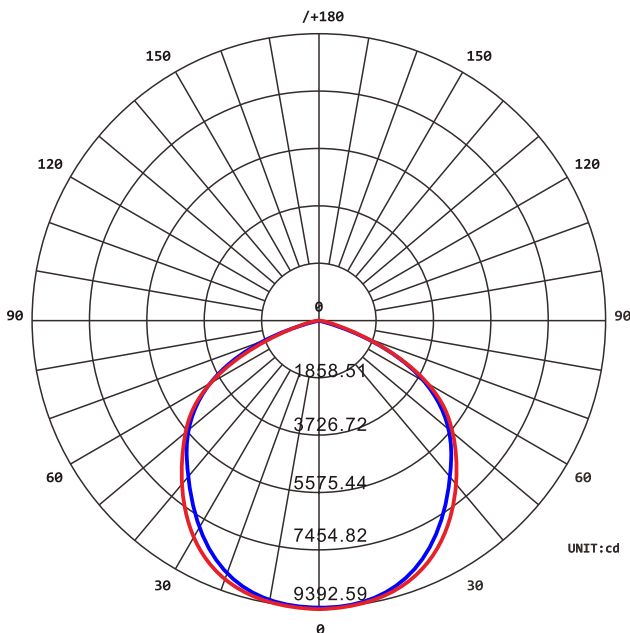
2. Dimension (mm)



3. Technical Data

Model No.	BLP-HBL300WE04	Model No.	BLP-HBL300WE04
Light Source	SMD3030	Driver Output Voltage (VDC)	40-48
LED Chips	LUMILEDS Luxeon	Driver Output Current(mA)	6700 (constant current)
Input Voltage (V)	90-305VAC 50/60Hz	Housing Color	Black
LED Power (W)	272-291	Tempered Glass	Clear/Foggy
System Power (W)	292-312	IP Class	IP65
Power Factor	>0.95	Working Temperature (°C)	-40 to +50
Luminous flux (lm)	28500-30000	Working Humidity(RH%)	10-90
System Efficiency (lm/W)	95-100	Power Cable	0.3 meters H05RN-F 3x1.0
Color Temperature (K)	3000/4000/5700	Net Weight (Kg)	9.4
CRI	>80	Dimension of Inner Box(cm)	52.5*24.5*50
Beam Angle	120°	Dimension of Outer Carton(cm)	54*51.5*52 (2 pcs)
Safety Standards	EN 60598-1:2008+A11:2009; EN 60598-2-5:1998; EN62493:2010; IEC 60598-2-5:1998		
EMC	EN 55015:2013; EN 61547:2009; EN 61000-3-2:2014; EN61000-3-3:2013		
LED Safety	EN 62471:2008; IEC 62031:2008+A1:2012+A2:2014		

4. Luminous Intensity Distribution Diagram



For the IES files, please visit our website or contact us by E-mail.

5. Installation

Please refer to Installation Instruction.