

SPECIFICATION

Product: Basic High Bay Light

Part No.: [HBL300WE05](#)

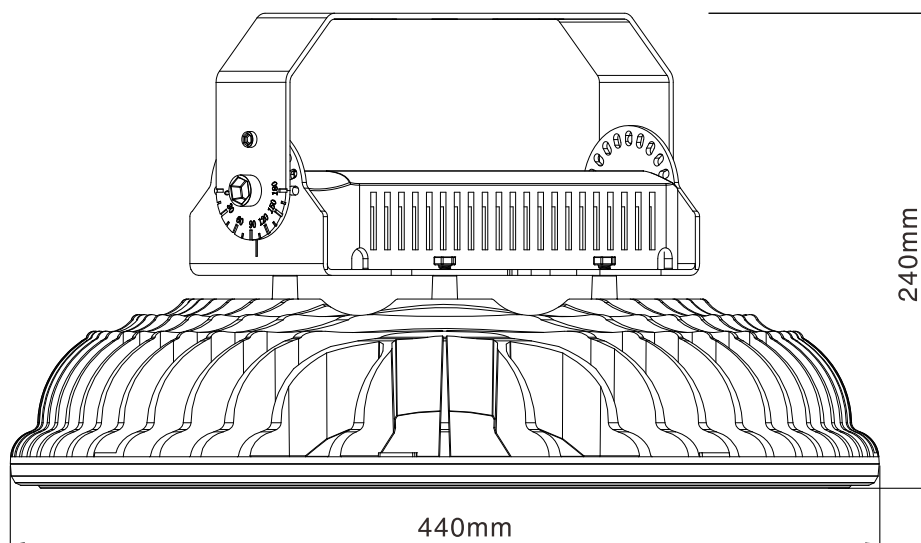
CB  CE RoHS FC

1. Main Features

- ▶ 5 years warranty.
- ▶ Lumileds 3030@Ra80 (LED 155lm/Watt)
- ▶ Mounting Bracket, Angle adjustable
- ▶ Aluminum die-casting body and stainless steel screws, good corrosion resistance.
- ▶ Meanwell HLG driver is completely exposed to the air for good heat dissipation.
- ▶ 1-10V Dimmable available
- ▶ CRI>80, Typical 83Ra.
- ▶ Suitable for warehouse, gymnasium, workshop, etc.



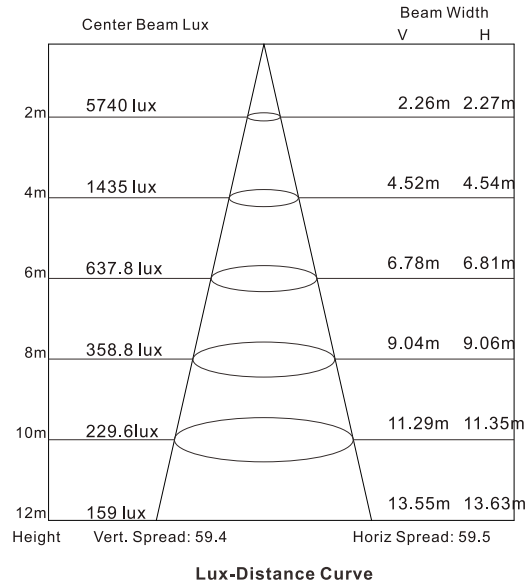
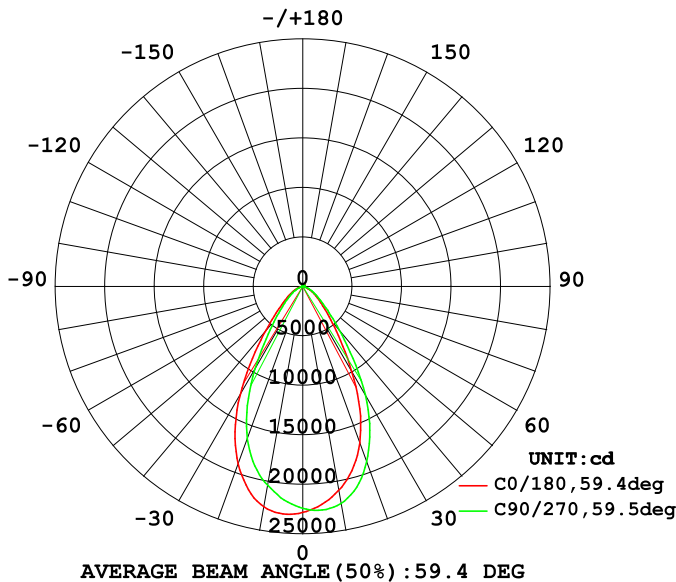
2. Dimension (mm)



3. Technical Data

Model No.	HBL300WE05	Model No.	HBL300WE05
Light Source	SMD3030	Driver Output Voltage (VDC)	40-48
LED Chips	LUMILEDS Luxeon	Driver Output Current(mA)	6700 (constant current)
Input Voltage (V)	100-240VAC 50/60Hz	Housing Color	Black
LED Power (W)	272-291	Tempered Glass	Clear/Foggy
System Power (W)	292-312	IP Class	IP65
Power Factor	>0.95	Working Temperature (°C)	-40 to +50
Luminous flux (lm)	27000-29500	Working Humidity(RH%)	10-90
System Efficiency (lm/W)	90-98	Power Cable	0.3 meters H05RN-F 3x1.0
Color Temperature (K)	3000/4000/5700	Net Weight (Kg)	9.4
CRI	>80	Dimension of Inner Box(cm)	52.5*24.5*50
Beam Angle	60°	Dimension of Outer Carton(cm)	54*51.5*52 (2 pcs)
Safety Standards	IEC 60598-2-1: 1979 + A1: 1987, IEC 60598-1: 2014, IEC 62031: 2008 + A1: 2012 + A2: 2014, EN 60598-2-1: 1989, EN 60598-1: 2015, EN 62031: 2008 + A1: 2013 + A2: 2015, EN 62493: 2015, AS/NZS 60598.2.1: 2014 + A1: 2016, AS/NZS 60598.1: 2017		
EMC Standards	EN 55015:2013+A1:2015; EN 61547:2009; EN 61000-3-2:2014; EN61000-3-3:2013		

4. Luminous Intensity Distribution Diagram



For the IES files, please visit our website or contact us by E-mail.

5. Installation

Please refer to Installation Instruction.